

**Engine** Yanmar 4TNE98-BQFLCC / 3.32 L  
**Fuel Type** Diesel  
**Capacity @ 500 mm LC** 3,500 kg

# CLG2035H

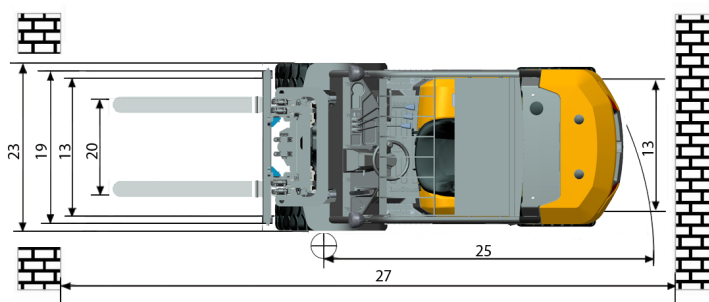
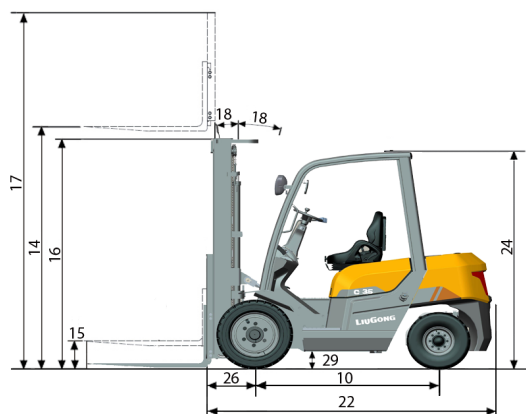
DIESEL  
PNEUMATIC TIRE FORKLIFTS  
C SERIES



TOUGH WORLD. TOUGH EQUIPMENT.

# CLG2035H SPECIFICATIONS >>>

<b>General</b>	<b>Model</b>	1			CLG2035H	
	<b>Power Type</b>	2			Diesel	
	<b>Base Capacity</b>	3	@ rated load center	kg	3,500	
	<b>Load Center</b>	4		mm	500	
<b>Weights</b>	<b>Service Weight</b>	5	unloaded	kg	4,800	
	<b>Axle Load</b>	6	loaded / unloaded, front	kg	7,304 / 1,920	
		7	loaded / unloaded, rear	kg	996 / 2,880	
<b>Tires</b>	<b>Tire Type</b>	8			Pneumatic	
	<b>Wheels</b>	9	front / rear		2 / 2	
	<b>Wheelbase</b>	10		mm	1,700	
	<b>Tire Size</b>	11	front			28x9-15-14PR
		12	rear			6.50-10-10PR
13	<b>Tread Width</b>		front / rear		1,000 / 992	
<b>Mast</b>	<b>Max. Fork Height</b>	14	with std 2-stage mast	mm	3,000	
	<b>Freelift</b>	15	with std 2-stage mast	mm	145	
	<b>Height, Upright Lowered</b>	16	with std 2-stage mast	mm	2,195	
	<b>Height, Upright Extended</b>	17	with std 2-stage mast	mm	4,088	
	<b>Mast Tilt, Fwd/Back</b>	18	with std 2-stage mast	deg	6° / 12°	
	<b>Carriage</b>	19	width	mm	1100	
	<b>Fork Spread</b>	20	minimum / maximum	mm	272 / 1,072	
	<b>Fork Dimensions</b>	21	T x W x L	mm	50 x 122 x 1,070	
<b>Chassis</b>	<b>Length to Fork Face</b>	22	with std 2-stage mast	mm	2,710	
	<b>Overall Width</b>	23		mm	1,225	
	<b>Overhead Guard Height</b>	24		mm	2,200	
	<b>Turning Radius</b>	25	minimum outside	mm	2,435	
	<b>Fork Overhang</b>	26	with std 2-stage mast	mm	477	
	<b>Right Angle Stack</b>	27	add load length and clearance	mm	4,192	
	<b>Ground Clearance</b>	28	minimum loaded	mm	140	
		29	center of wheelbase	mm	165	
<b>Performance</b>	<b>Travel Speed</b>	30	loaded / unloaded	km/h	18.5 / 19	
	<b>Lift Speed</b>	31	loaded / unloaded	m/s	0.53 / 0.59	
	<b>Lower Speed</b>	32	loaded / unloaded	m/s	0.50 / 0.40	
	<b>Max. Drawbar Pull</b>	33	loaded	kg	1,900	
	<b>Max. Gradeability</b>	34	loaded / unloaded	%	20 / 31	
<b>Systems</b>	<b>Brakes</b>	35	service		Foot / Hyd	
		36	parking		Hand / Mech	
		37	manufacturer		Yanmar	
	<b>Engine</b>	38	model			4TNE98-BQFLCC
		39	emission compliance			EU Stage IIIA
		40	cylinders			4
		41	displacement	liter		3.32
		42	rated power	kW/rpm		42.1 / 2,300
		43	max. torque	N-m/rpm		196.3 / 1,700



Guangxi Liugong Machinery Co., Ltd.

No. 1 Liutai Road, Liuzhou, Guangxi 545007, PR China

T: +86 772 3886124

E: overseas@liugong.com

www.liugong.com

06/2017 Designed by LiuGong

Specifications and designs are subject to change without notice. Machines shown may include optional equipment.