



|                                  |                                     |
|----------------------------------|-------------------------------------|
| <b>Engine</b>                    | Cummins QSB4.5                      |
| <b>Rated Power</b>               | 119 KW (160 HP / 162PS) @ 2,200 RPM |
| <b>Nominal Amplitude Range</b>   | 2.0 / 1.2 MM                        |
| <b>Vibration Frequency Range</b> | 30 / 33 Hz                          |
| <b>Centrifugal Force Range</b>   | 300 / 220 kN                        |
| <b>Working Width</b>             | 2,130 mm                            |
| <b>Operating Mass</b>            | 15,000 kg                           |

# 6615E ROLLER

**TOUGH WORLD. TOUGH EQUIPMENT.**

# 6615E SPECIFICATIONS >>>

## ENGINE

|                     |                                     |
|---------------------|-------------------------------------|
| Emission Regulation | Tier 3 / Stage III                  |
| Make                | Cummins                             |
| Model               | QSB4.5                              |
| Rated Power         | 119 kW (160 hp / 162ps) @ 2,200 rpm |
| Peak Torque         | 624 N·m                             |
| Number of cylinders | 4                                   |
| Aspiration          | Turbo & air-to-air aftercooled      |
| Cooling Type        | Water                               |

## ELECTRICAL SYSTEM

|                |      |
|----------------|------|
| System Voltage | 24 V |
|----------------|------|

## DRIVE TRAIN

|                             |           |
|-----------------------------|-----------|
| Theoretical Gradeability    | 50%       |
| Transmission Type           | Hydraulic |
| 1st Maximum Speed           | 4.5 km/h  |
| 2nd Maximum Speed           | 6 km/h    |
| 3rd Maximum Speed           | 7 km/h    |
| 4th Maximum Speed           | 12 km/h   |
| Min. Outside Turning Radius | 6,500 mm  |

## STEERING

|                          |              |
|--------------------------|--------------|
| Steering System          | Hydraulic    |
| Steering Method          | Articulation |
| Steering Angle           | ± 35°        |
| Steering Relief Pressure | 16 Mpa       |

## BRAKES

|                         |  |
|-------------------------|--|
| Service Brake Type      | Hydraulic                              |
| Service Brake Actuation | Hydraulic                              |
| Parking Brake Actuation | Mechanical apply;<br>Hydraulic release |

## OPTIONAL EQUIPMENT

Padfoot Drum Segment Kit (PDH)

## TYRES

|               |              |
|---------------|--------------|
| Tyre Size     | 23.1-26-12PR |
| Tyre Pressure | 200-220 kPa  |

## HYDRAULIC SYSTEM

|                      |              |
|----------------------|--------------|
| Main Pump Type       | Piston Pump  |
| Main Relief Pressure | Travel 42Mpa |

## PERFORMANCE

|                               |              |
|-------------------------------|--------------|
| Static Linear Front Drum Load | 394 N/cm     |
| Number of Vibrating Drums     | 1            |
| Nominal Amplitude Range       | 2.0 / 1.2 mm |
| Vibration Frequency Range     | 30 / 33 Hz   |
| Centrifugal Force Range       | 300 / 220 kN |
| Number of Amplitude Settings  | 2            |

## OPERATING MASS

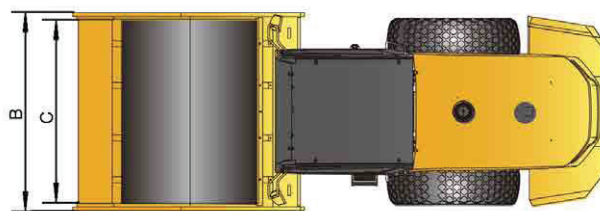
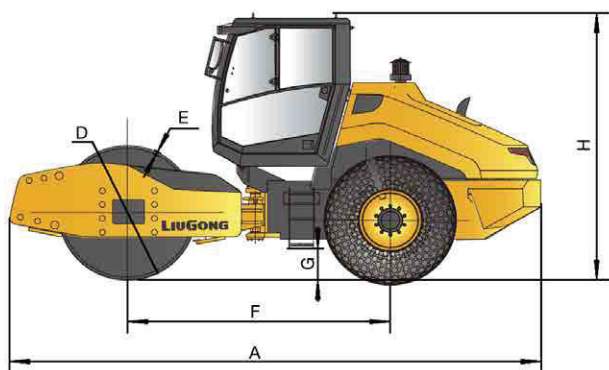
|                             |           |
|-----------------------------|-----------|
| Operating Mass with Ballast | 15,000 kg |
| Mass on Vibrating Drum      | 8,400 kg  |
| Mass on Drive Axle          | 6,600 kg  |

## SERVICE CAPACITIES

|                    |       |
|--------------------|-------|
| Fuel Tank          | 200 L |
| Engine Oil         | 11 L  |
| Hydraulic Oil Tank | 100 L |
| Cooling System     | 25 L  |

## DIMENSIONS

|                          |          |
|--------------------------|----------|
| A. Overall Length        | 6,000 mm |
| B. Overall Width         | 2,280 mm |
| C. Drum Width            | 2,130 mm |
| D. Drum Diameter         | 1,555 mm |
| E. Drum Thickness        | 30 mm    |
| F. Wheelbase             | 3,050 mm |
| G. Min. Ground Clearance | 470 mm   |
| H. Overall Height        | 3,220 mm |



## Guangxi Liugong Machinery Co., Ltd.

No. 1 Liutai Road, Liuzhou, Guangxi 545007, PRC China  
 T: +86 7723886124 E: overseas@liugong.com  
 www.liugong.com

Specifications and designs are subject to change without notice. Machines shown may include optional equipment. Liugong standard and optional equipment may vary from region to region. Please consult your Liugong dealer for information specific to your area. Engine power kW is converted to horsepower (1 kW=1.3596 ps and 1 kW=1.3410 hp) in this file.