



Engine	CUMMINS QSB4.5
Rated Power	119 KW (160 HP) @ 2,200 RPM
Nominal Amplitude Range	2.0 / 1.2 MM
Vibration Frequency Range	30 / 33 Hz
Centrifugal Force Range	300 / 220 kN
Working Width	2,130 mm
Operating Mass	13,200 kg

6613E ROLLER

TOUGH WORLD. TOUGH EQUIPMENT.

6613E SPECIFICATIONS >>>

ENGINE

Emission Regulation	Tier 3 / Stage III
Make	Cummins
Model	QSB4.5
Rated Power	119 kW (160 hp) @ 2,200 rpm
Peak Torque	624 N·m
Number of cylinders	4
Aspiration	Turbo & air-to-air aftercooled
Cooling Type	Water

ELECTRICAL SYSTEM

System Voltage	24 V
----------------	------

DRIVE TRAIN

Theoretical Gradeability	50%
Transmission Type	Hydraulic
1st Maximum Speed	4.5 km/h
2nd Maximum Speed	6 km/h
3rd Maximum Speed	7 km/h
4th Maximum Speed	12 km/h
Min. Outside Turning Radius	6,500 mm

STEERING

Steering System	Hydraulic
Steering Method	Articulation
Steering Angle	± 35°
Steering Relief Pressure	16 Mpa

BRAKES

Service Brake Type	Hydraulic
Service Brake Actuation	Hydraulic
Parking Brake Actuation	Mechanical apply; Hydraulic release

OPTIONAL EQUIPMENT

Padfoot Drum Segment Kit (PDH)

TYRES

Tyre Size	23.1-26-12PR
Tyre Pressure	200-220 kPa

HYDRAULIC SYSTEM

Main Pump Type	Piston Pump
Main Relief Pressure	Travel 35Mpa

PERFORMANCE

Static Linear Front Drum Load	376 N/cm
Number of Vibrating Drums	1
Nominal Amplitude Range	2.0 / 1.2 mm
Vibration Frequency Range	30 / 33 Hz
Centrifugal Force Range	300 / 220 kN
Number of Amplitude Settings	2

OPERATING MASS

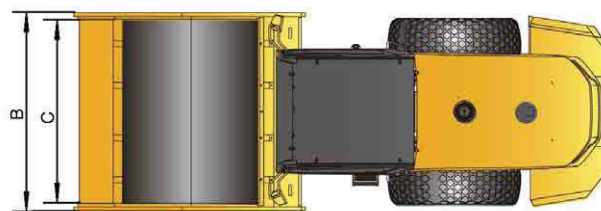
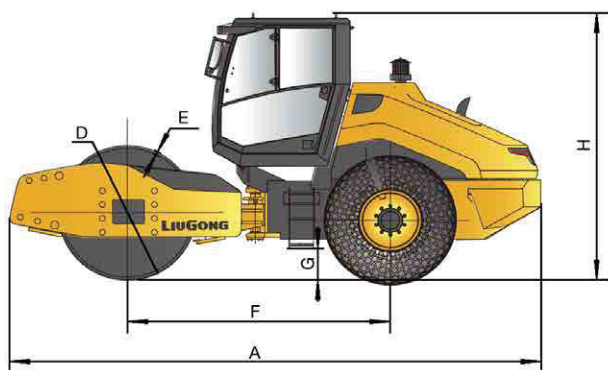
Operating Mass with Ballast	13,200 kg
Mass on Vibrating Drum	8,000 kg
Mass on Drive Axle	5,200 kg

SERVICE CAPACITIES

Fuel Tank	200 L
Engine Oil	11 L
Hydraulic Oil Tank	100 L
Cooling System	25 L

DIMENSIONS

A. Overall Length	6,000 mm
B. Overall Width	2,280 mm
C. Drum Width	2,130 mm
D. Drum Diameter	1,555 mm
E. Drum Thickness	30 mm
F. Wheelbase	3,050 mm
G. Min. Ground Clearance	470 mm
H. Overall Height	3,220 mm



Guangxi Liugong Machinery Co., Ltd.

No. 1 Liutai Road, Liuzhou, Guangxi 545007, PRC
 T: +86 7723886124 E: overseas@liugong.com
 www.liugong.com

Specifications and designs are subject to change without notice. Machines shown may include optional equipment. Liugong standard and optional equipment may vary from region to region. Please consult your Liugong dealer for information specific to your area. Engine power kW is converted to horsepower (1 kW=1.3596 ps and 1 kW=1.3410 hp) in this file.